

Product Specifications



Core type:

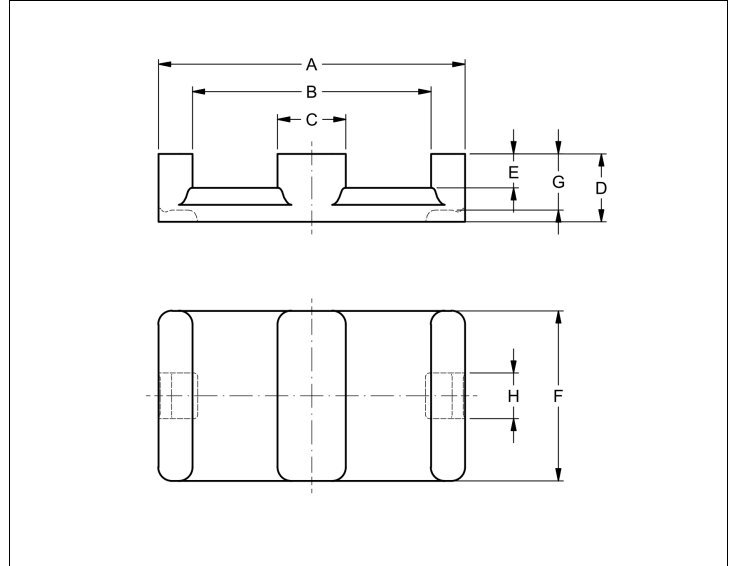
E14/3.5/5/R + PLT14/5/1.5/S

Selling unit:

PCS

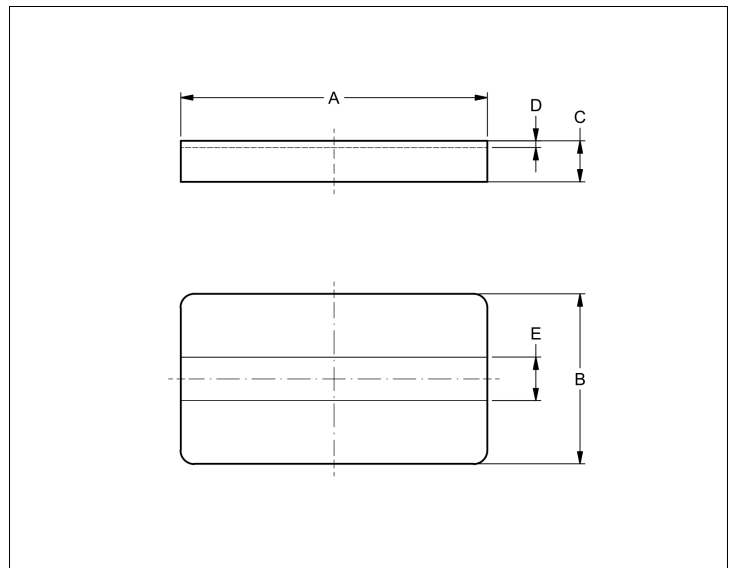
Product dimensions (mm): E14/3.5/5/R

	Nom	Tol +	Tol -	Max	Min
A	14.00	0.30	0.30	14.30	13.70
B	11.00	0.25	0.25	11.25	10.75
C	3.00	0.05	0.05	3.05	2.95
D	3.50	0.10	0.10	3.60	3.40
E	2.00	0.10	0.10	2.10	1.90
F	5.00	0.10	0.10	5.10	4.90
G	2.80	0.15	0.15	2.95	2.65
H	2.50	0.20	0.00	2.70	2.50



Product dimensions (mm): PLT14/5/1.5/S

	Nom	Tol +	Tol -	Max	Min
A	14.00	0.30	0.30	14.30	13.70
B	5.00	0.10	0.10	5.10	4.90
C	1.80	0.05	0.05	1.85	1.75
D	1.50	0.10	0.10	1.60	1.40
E	2.50	0.20	0.00	2.70	2.50



Effective parameters

Effective area	Minimum area	Effective length	Effective volume	Core factor
$A_e = 14.2 \text{ [mm}^2\text{]}$	$A_{min} = 10.9 \text{ [mm}^2\text{]}$	$L_e = 16.4 \text{ [mm]}$	$V_e = 230 \text{ [mm}^3\text{]}$	$C_1 = 1.15 \text{ [mm}^{-1}\text{]}$

Inductance factor

Material	Value	Tol +	Tol -	Measuring conditions			Unit
3C90	1500	25%	25%	10 kHz	< 0.1 mT	25°C	nH/turns ²
3C92	1130	25%	25%	10 kHz	< 0.1 mT	25°C	nH/turns ²

Product Specifications



Core type:

E14/3.5/5/R + PLT14/5/1.5/S

Selling unit:

PCS

Inductance factor

Material	Value	Tol +	Tol -	Measuring conditions			Unit
3C95	1740	25%	25%	10 kHz	< 0.1 mT	25°C	nH/turns ²
3C96	1350	25%	25%	10 kHz	< 0.1 mT	25°C	nH/turns ²
3C97	1740	25%	25%	10 kHz	< 0.1 mT	25°C	nH/turns ²
3F36	1000	25%	25%	10 kHz	< 0.1 mT	25°C	nH/turns ²
3F46	660	25%	25%	10 kHz	< 0.1 mT	25°C	nH/turns ²

Power loss

Material	Symbol	Value	Measuring conditions			Unit
3C90	Pv	< 0.028	25 kHz	200 mT	100°C	W/set
3C92	Pv	< 0.11	100 kHz	200 mT	100°C	W/set
3C95	Pv	< 0.11	100 kHz	200 mT	100°C	W/set
3C95	Pv	< 0.12	100 kHz	200 mT	25°C	W/set
3C96	Pv	< 0.1	100 kHz	200 mT	100°C	W/set
3C96	Pv	< 0.041	400 kHz	50 mT	100°C	W/set
3C97	Pv	< 0.11	100 kHz	200 mT	60°C	W/set
3C97	Pv	< 0.11	100 kHz	200 mT	120°C	W/set
3C97	Pv	< 0.14	100 kHz	200 mT	140°C	W/set
3F36	Pv	< 0.034	500 kHz	50 mT	100°C	W/set
3F36	Pv	< 0.26	500 kHz	100 mT	100°C	W/set
3F46	Pv	< 0.092	1000 kHz	50 mT	100°C	W/set
3F46	Pv	< 0.021	3000 kHz	10 mT	100°C	W/set

Bsat

Material	Symbol	Value	Measuring conditions			Unit
3C90	Bsat	> 320	10 kHz	250 A/m	100°C	mT
3C92	Bsat	> 370	10 kHz	250 A/m	100°C	mT
3C95	Bsat	> 330	10 kHz	250 A/m	100°C	mT
3C96	Bsat	> 340	10 kHz	250 A/m	100°C	mT
3C97	Bsat	> 330	10 kHz	250 A/m	100°C	mT
3F36	Bsat	> 320	10 kHz	250 A/m	100°C	mT
3F46	Bsat	> 330	10 kHz	250 A/m	100°C	mT

Accessories

Ordering name	Description	Ordering code
CLM-E14/PLT14	Clamp	FOMEE01400CLM0000P
CLM-E14/PLT14-I	Clamp	FOMEE01400CLM1000P